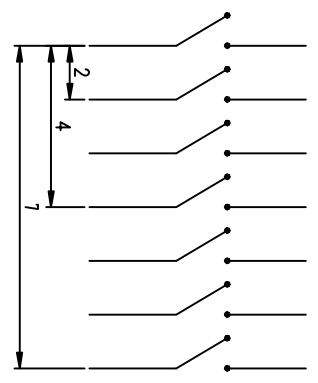
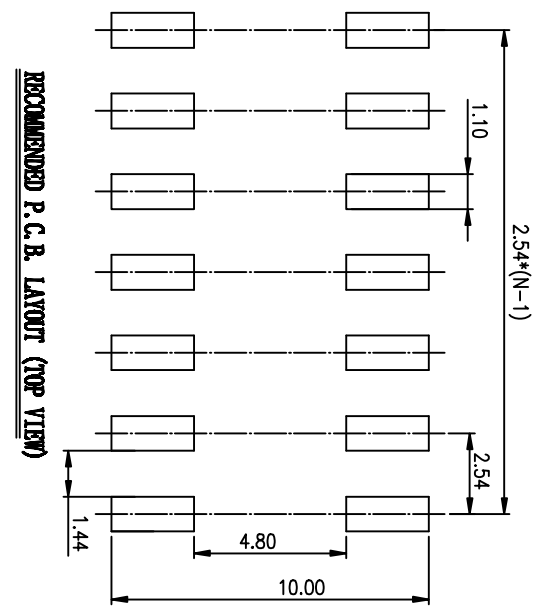
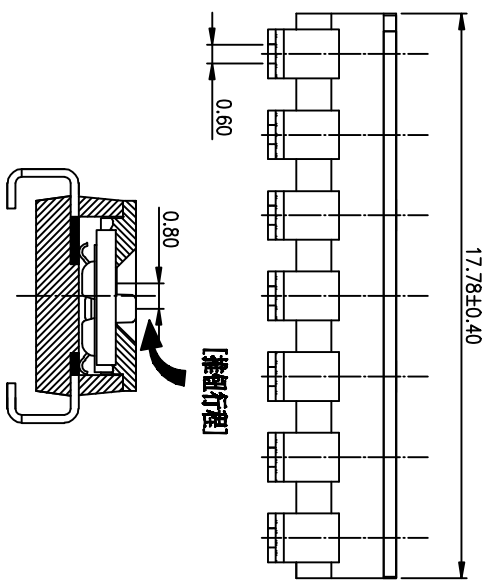
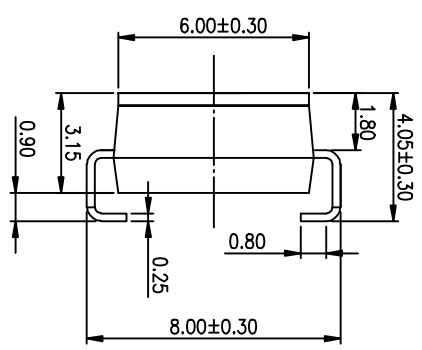
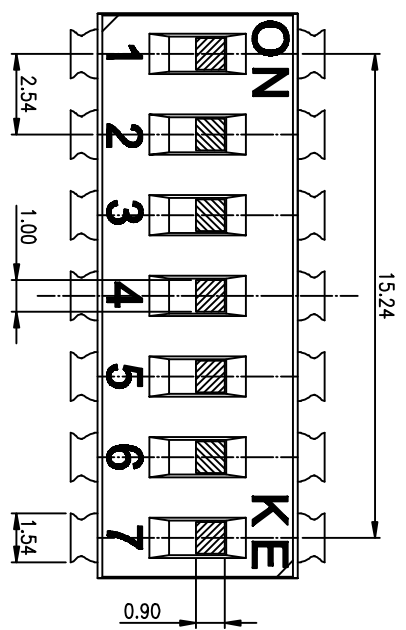


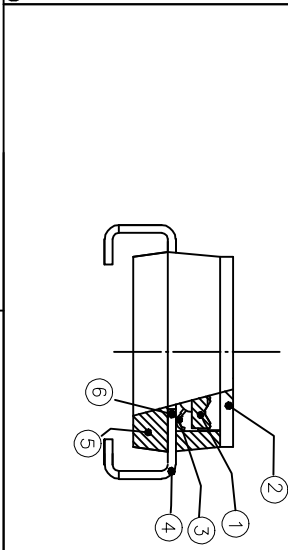
PRODUCT NO.	DISC07SUGET
RoHS compliant	



- NOTES :
- 1>.Specification:
- 1>.Operating force:1000gf Max
 - 2>.Operating Temperature: -40° to+85°
 - 3>.Storage Temperature: -40° to+85°
 - 4>.Mechanical Life: 3000cycles minimum
 - 5>.Electrical Life: 2000cycles 25mA 24VDC
2. PLATING:
- GOLD FLASH 1u"(min.) SOLDER TAIL,
 - 3u" GOLD PLATING ON THE CONTACT AREA,
 - WITH 50u" NICKEL UNDERPLATINGOVERALL.

3. PART NUMBER DESCRIPTION

- DISC XX I T S G E T
- [包装方式: T=管装 R=盒装]
 - [电镀层: B=镀锡3u" G=镀镍3u" / 厚镍3u"-2u"]
 - [G=鍍金 S=内金少槽]
 - [脚型: S脚 / J脚 / 弯脚 / A脚 / Z脚]
 - [T=低接触度 S=低接触度 L=长插]
 - [产品规格: 02=2P 04=4P 06=6P 08=8P 10=10P 12=12P]



Number	Part Name	Material	Finished
①	Actuator	UL94 V0	White
②	Cover	UL94 V0	Black
③	Movable	Copper Alloy	3u"Gold
④	Terminal	Brass	1u"Gold
⑤	Base	UL94 V0	Black
⑥	Terminal Contact	Brass	3u"Gold

TOLERANCE UNLESS OTHERWISE SPECIFIED		INSPECTION COPY	
LINER	ANGLES	PROJECTION	COPY
0 ± 0.25	0. ± 2'		
.00 ± 0.15	.0 ± 1'		
.000± 0.10	.00± 0.5'		
DESIGN	kathy	2012/04/12	
DRAWING			
CHECK			
APPRO.			

KE 德普特精密电子股份有限公司
Dongguan Kingtek Industrial Co., Ltd.

FILE NO.	DISC07SUGET-A
SIZE	UNIT SCALE SHEET REV.
A4	mm 2 : 1 10F-1 A