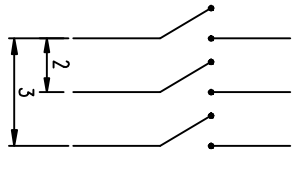
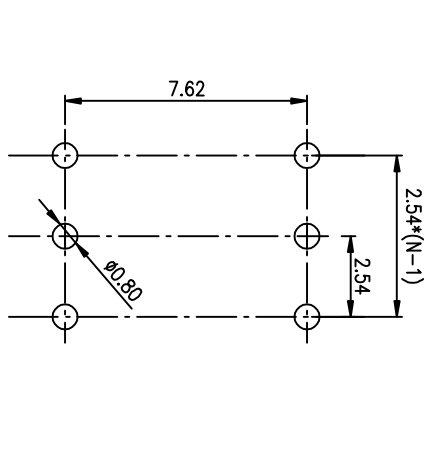
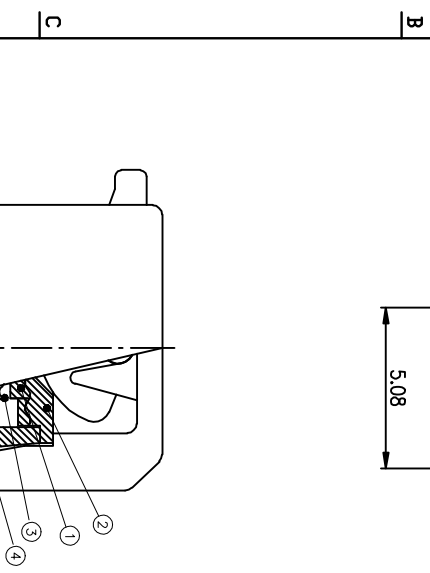
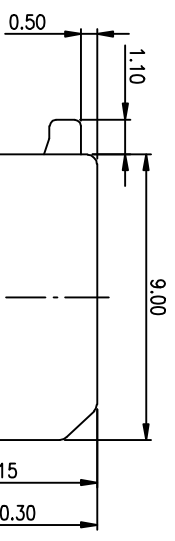
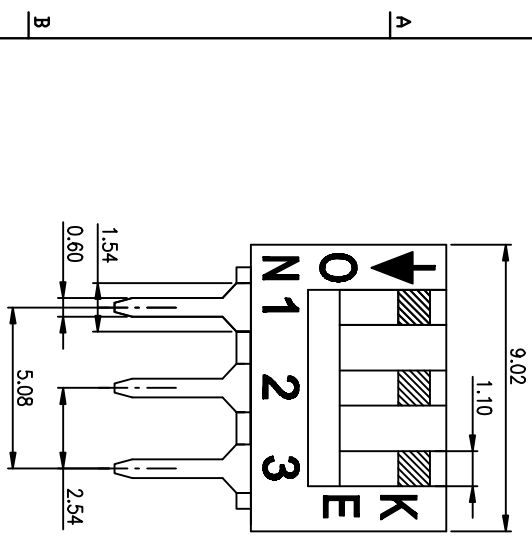


PRODUCT NO.	DSPV03LHGCT
RoHS compliant	



[Schematic]

4. PART NUMBER DESCRIPTION :

- CONTACT RATING:
 - SWITCHING: 25mA at 24ADC
 - NON-SWITCHING: 100mA at 50VDC WITH 50u" NICKEL UNDERPLATINGOVERALL.
- PLATING:
 - GOLD FLASH 1u"(min.) SOLDERTALL, 3u" GOLD PLATING ON THE CONTACT AREA, WITH 50u" NICKEL UNDERPLATINGOVERALL.
- Mechanical Life: 3000cycles minimum
- Operating force: 1000gf Max
- Operating Temperature: -40° to+85°
- Storage Temperature: -40° to+85°

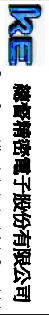
NOTES :
1.Specification:

REV.	ECN NO.	DR	DATE

Number	Part Name	Material	Finished
①	Actuator	UL94 V0	White
②	Cover	UL94 V0	Black
③	Movable	Copper Alloy	3u" Gold
④	Terminal	Brass	1u" Gold
⑤	Base	UL94 V0	Black
⑥	Terminal Contact	Brass	3u" Gold

TOLERANCE UNLESS OTHERWISE SPECIFIED	ANGLES	PROJECTION
0 ± 0.25	0 ± 2°	COPY
.00 ± 0.15	.0 ± 1°	INSPECTION
.000± 0.10	.00± 0.5°	DESIGN
		DRAWING
		CHECK
		APPRO.

FILE NO.	DSPV03LHGCT-A
SIZE	UNIT SCALE SHEET REV.
A4	mm 2 : 1 TOP 1 A



東莞精密電子股份有限公司
Dongguan Kingtek Industrial Co., Ltd

BY DSPV SERIES PITCH 2.54mm
PRODUCT FAMILY DSPV SERIES
PRAT NO. DSPV03LHGCT

DESIGN 2013/01/12
DRAWING
CHECK
APPRO.

1 2 3 4 5 6