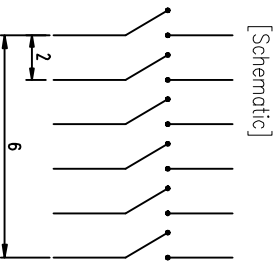
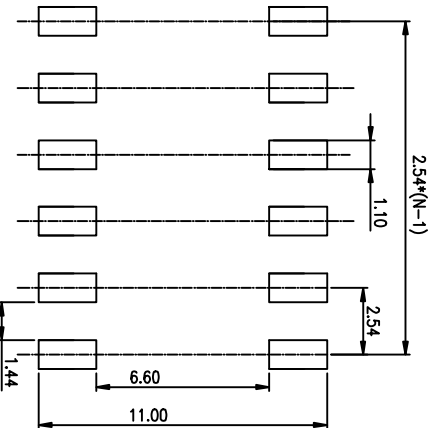
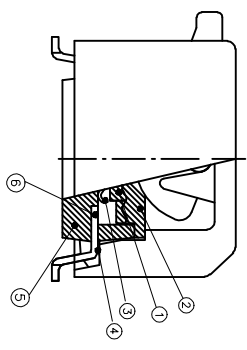
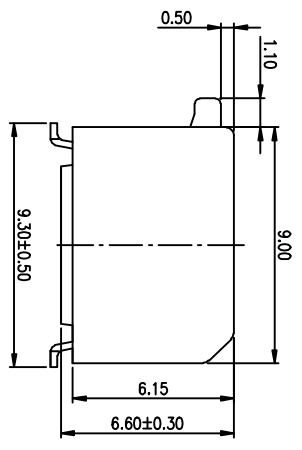
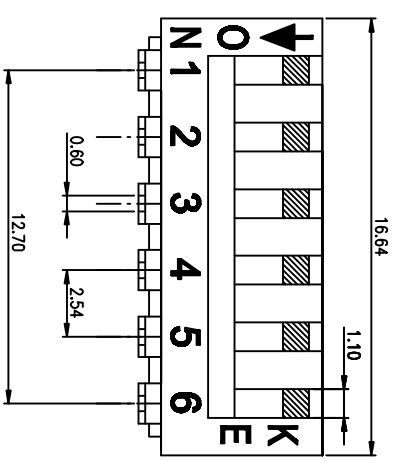


PRODUCT NO. DSPV06LSGET
RoHS compliant



NOTES : 1 Specification:

- 1>. Operating force: 10000gf Max
 - 2>. Operating Temperature: -40° to+85°
 - 3>. Storage Temperature: -40° to+85°
 - 4>. Mechanical Life: 3000cycles minimum
 - 5>. Electrical Life: 2000cycles minimum
2. PLATING:
GOLD FLASH 1u”(min.) SOLDER TALL,
3u” GOLD PLATING ON THE CONTACT AREA,
WITH 50u” NICKEL UNDERPLATING OVERALL.
3. CONTACT RATING:
1. SWITCHING: 25mA at 24VDC
2. NON-SWITCHING: 100mA at 50VDC
WITH 50u” NICKEL UNDERPLATING OVERALL.

4. PART NUMBER DESCRIPTION :

DS XX I S G E T
 [Packing: T=Tube R=Reel]
 [Finish: F=3u” Gold-plated F=10u” Gold-plated]
 [Finish: G=Full Gold S=Contact-Gold-plated]
 [Terminal: S=SMD type B=Strait:.....]
 [Actuator: T=Tape sealed S=Low profile W/O Tape L=Extension]
 [HP=Half Pitch IC=IC type PV=Plano type]

Number	Part Name	Material	Finished
①	Actuator	UL94 V0	White
②	Cover	UL94 V0	Black
③	Movable	Copper Alloy	3u” Gold
④	Terminal	Brass	1u” Gold
⑤	Base	UL94 V0	Black
⑥	Terminal Contact	Brass	3u” Gold

TOLERANCE UNLESS OTHERWISE SPECIFIED		INSPECTION	
LINER	ANGLES	COPY	PROJECTION
0 ± 0.25	0 ± 2'		
.00 ± 0.15	.0 ± 1'		
.000± 0.10	.00± 0.5'		
DESIGN	kathy	03/20/12'	
DRAWING			
CHECK			
APPRO.			

<p>德馨精密電子股份有限公司 Dongguan Kingtek Industrial Co., Ltd.</p>			
TITLE			
BY DSPV SERIES PITCH 2.54mm			
PRODUCT FAMILY DSPV SERIES			
PRAT NO. DSPV06LSGET			
FILE NO.	DSPV06LSGET-A	SIZE	UNIT
SCALE	SHEET	SCALE	SHEET
REV.	REV.	TOP	REV.
A4	mm	Z : 1	TOP: 1 A