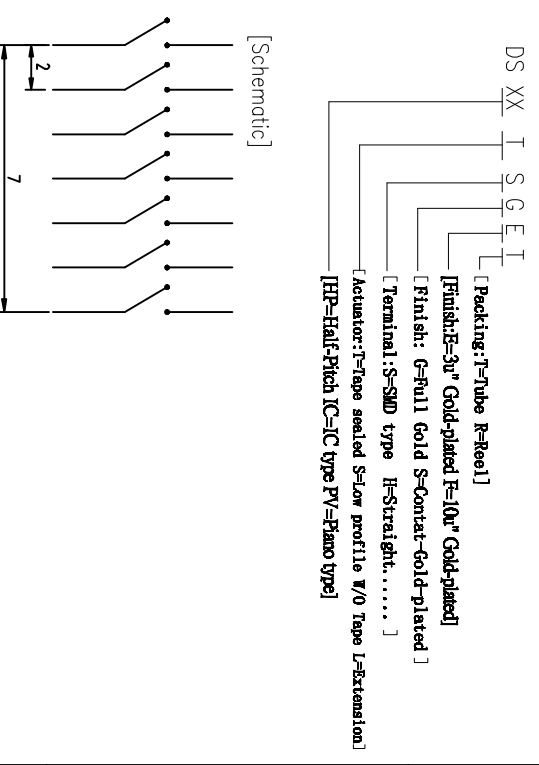
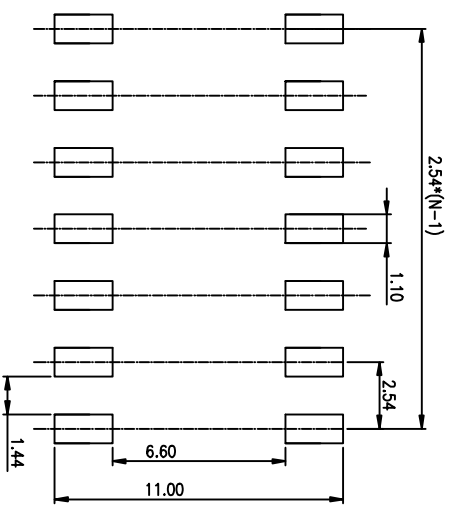
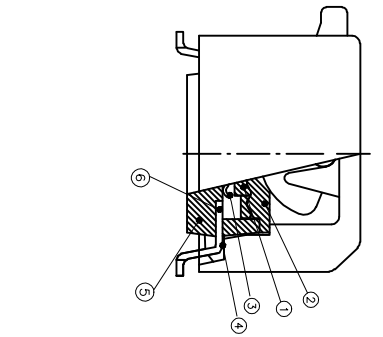
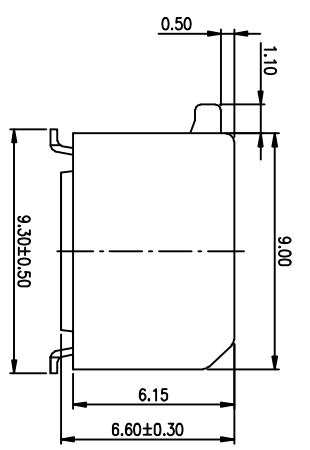
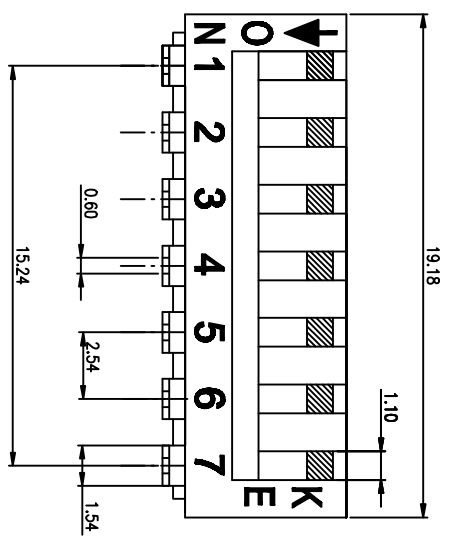


PRODUCT NO. DSPV07LSGET
RoHS compliant



NOTES :
1.Specification:

- 1>.Operating force:1000gf Max
 - 2>.Operating Temperature: -40° to+85°
 - 3>.Storage Temperature: -40° to+85°
 - 4>.Mechanical Life: 3000cycles minimum
2. PLATING:
GOLD FLASH 1u"(min.) SOLDER TAIL,
3u" GOLD PLATING ON THE CONTACT AREA,
WITH 50u" NICKEL UNDERPLATING OVERALL.
3. CONTACT RATING:
1.SWITCHING: 25mA at 24ADC
2.NON-SWITCHING: 100mA at 50VDC
WITH 50u" NICKEL UNDERPLATING OVERALL.

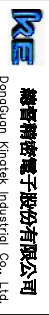
4. PART NUMBER DESCRIPTION :

| Number | Part Name | Material | Finished |
|--------|------------------|--------------|----------|
| ① | Actuator | UL94 V0 | White |
| ② | Cover | UL94 V0 | Black |
| ③ | Movable | Copper Alloy | 3u Gold |
| ④ | Terminal | Brass | 1u Gold |
| ⑤ | Base | UL94 V0 | Black |
| ⑥ | Terminal Contact | Brass | 3u Gold |

| TOLERANCE UNLESS OTHERWISE SPECIFIED | | INSPECTION COPY | |
|--------------------------------------|-----------|-----------------|--|
| LINER | ANGLES | PROJECTION | |
| 0 ± 0.25 | 0 ± 2' | | |
| .00 ± 0.15 | .0 ± 1' | | |
| .000± 0.10 | .00± 0.5' | | |

| | | |
|---------|-------|------------|
| DESIGN | kathy | 2013/01/12 |
| DRAWING | | |
| CHECK | | |
| APPRO. | | |

| | |
|----------|-----------------------|
| FILE NO. | DSPV07LSGET-A |
| SIZE | UNIT SCALE SHEET REV. |
| A4 | mm 2 : 1 TOP 1 A |



BY DSPV SERIES PITCH 2.54mm
PRODUCT FAMILY DSPV SERIES

PRAT NO. DSPV07LSGET