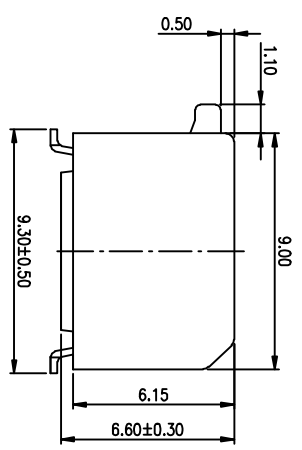
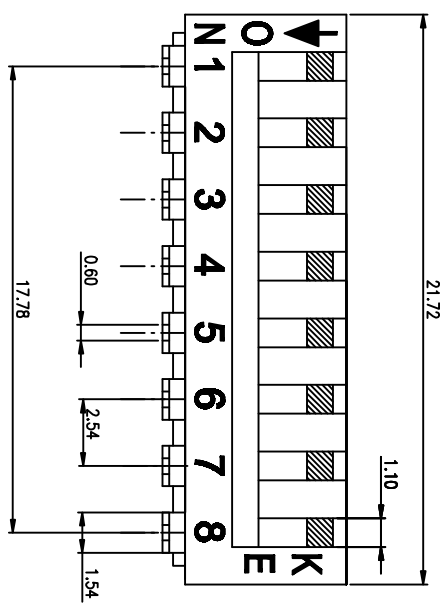


PRODUCT NO. DSPV081SGE1
RoHS compliant

NOTES : 1 Specification:
1>.Operating force:10000gf Max
2>.Operating Temperature: -40° to+85°
3>.Storage Temperature: -40° to+85°
4>.Mechanical Life:3000cycles minimum
5>Electrical Life:2000cycles minimum

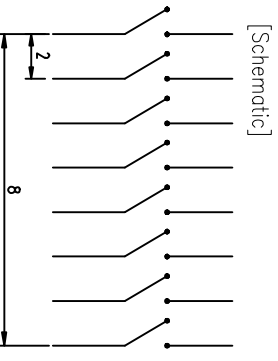
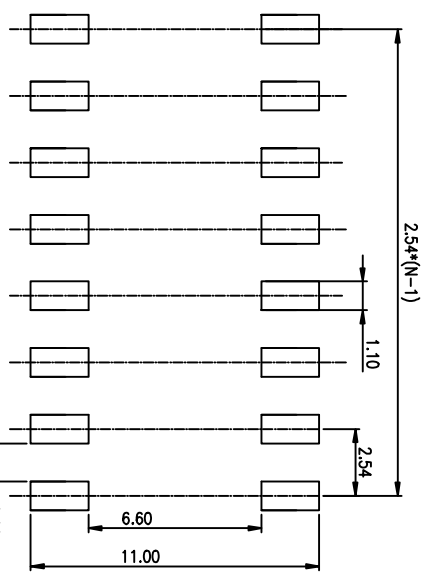
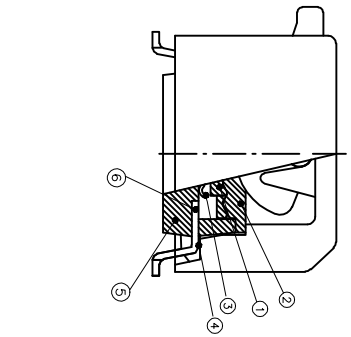
| REV. | ECN NO. | DR | DATE |
|------|---------|----|------|
| | | | |



- CONTACT RATING:
1. SWITCHING: 25mA at 24VDC
2. NON-SWITCHING: 100mA at 50VDC
WITH 50u" NICKEL UNDERPLATINGOVERALL.
- PLATING:
GOLD FLASH 1u"(min.) SOLDER TALL,
3u" GOLD PLATING ON THE CONTACT AREA,
WITH 50u" NICKEL UNDERPLATINGOVERALL.

4. PART NUMBER DESCRIPTION :

DS XX I S G E T
 [Packing: T=Tube R=Reel]
 [Finish: F=3u" Gold-plated F=10u" Gold-plated]
 [Finish: G=Full Gold S=Contact-Gold-plated]
 [Terminal: S=SMD type B=Strait.....]
 [Actuator: T=Tape sealed S=Low profile W/O Tape L=Extension]
 [HP=Half Pitch IC=IC type PV=Plano type]



| Number | Part Name | Material | Finished |
|--------|------------------|--------------|----------|
| ① | Actuator | UL94 V0 | White |
| ② | Cover | UL94 V0 | Black |
| ③ | Movable | Copper Alloy | 3u" Gold |
| ④ | Terminal | Brass | 1u" Gold |
| ⑤ | Base | UL94 V0 | Black |
| ⑥ | Terminal Contact | Brass | 3u" Gold |

| TOLERANCE UNLESS OTHERWISE SPECIFIED | | INSPECTION COPY | |
|--------------------------------------|-----------|-----------------|-----------|
| LINER | ANGLES | PROJECTION | |
| 0 ± 0.25 | 0 ± 2' | | |
| .00 ± 0.15 | .0 ± 1' | | |
| .000± 0.10 | .00± 0.5' | DESIGN | 03/20/12' |
| | | DRAWING | |
| | | CHECK | |
| | | APPRO. | |

| | |
|---|-----------------------|
| | |
| BY DSPV SERIES PITCH 2.54mm PRODUCT FAMILY DSPV SERIES PRAT NO. DSPV081SGE1 | |
| FILE NO. | DSPV081SGE1-A |
| SIZE | UNIT SCALE SHEET REV. |
| A4 | mm 2 : 1 TOP 1 A |